



**INTERVALVE (INDIA) LTD.**

(WITH DUTCH TECHNOLOGY)



**IVEX-F, IVEX-T & IVEX-M**

*High Performance Butterfly Valve*

**Authorised Dealer;**  
**PUSHKARNA SALES PVT LTD.**  
**4772, Hauz Qazi, Delhi-110006.**  
**Phones; 011-43675881/9818453355.**  
**Email; sales@pushkarnasales.com**  
**Site; www.pushkarnasales.com**



The ultimate in high performance Butterfly valves, IV's IVEX- series incorporates the 'state of the art' valve technology to out perform the competition. The double offset disc design nearly eliminates the seating wear due to the camming action of the disc during closing. The mechanical stopper provided on the valve body ensures precise valve closing every time to ensure specified seat tightness. The disc has a spherical profile and comes out of contact with seat in the initial opening itself.

The valve is available with 3 distinctly different seat design versions, viz. Soft seated, Fire safe and Metal to Metal seated with wafer or wafer lugged body option.

The valve has excellent throttling characteristics with good low flow control capability, which offers an inherently higher rangeability. This feature of IVEX series makes them ideal for flow control/modulating duties. An adjustable gland box type shaft sealing arrangement permits on line adjustment of the packing to ensure zero leakage.

The fire safe version, IVEX-F model has been fire tested and certified as per the requirements API 607 standard by Lloyd's Register of Shipping.

**Conformity to codes and standards:**

- General design and manufacturing : API 609 category B
- Pressure temperature rating : ANSI B 16.34
- Valve face to face dimensions : API 609 category B/ANSI B16.10
- Valve inspection and testing : API 598 /ANSI/FCI 70-2
- Flange standard conformity : ANSI B16.5 Class 150
- Fire safe testing : API 607

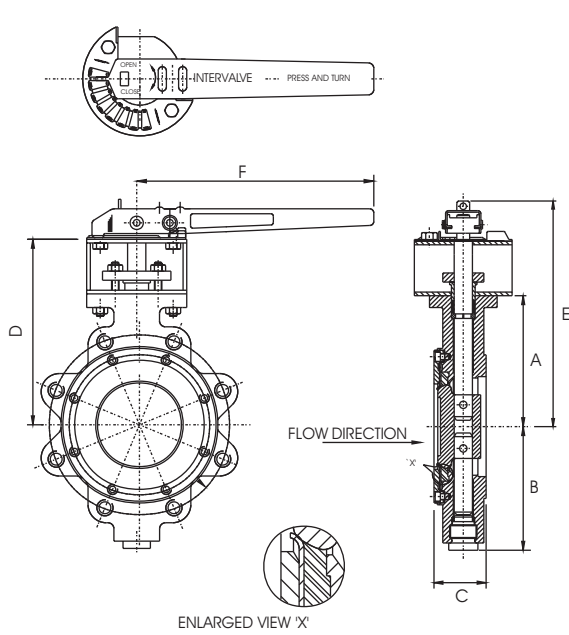
**Technical specifications :**

- 1. Construction type : Double offset Disc Design High Performance Butterfly valve
- 2. Valve type & models : IVEX-F- Fire safe seat version  
IVEX-T- Soft seated PTFE seat version  
IVEX-M- Metal to metal seated version
- 3. Body type & end connection : Wafer sandwiched or Wafer lugged
- 4. Size range : 80 NB to 600 NB
- 5. Seat leakage performance : Better than class VI for IVEX-F, IVEX-T  
Class IV for IVEX-M
- 6. Pressure rating : ANSI 150 class
- 7. Operating temperature range : -50° C to 220° C for IVEX-F (Depending on MOC)  
-50° C to 220° C for IVEX-T (Depending on MOC)  
-50° C to 600° C for IVEX-M (Depending on MOC)
- 8. Operation :  Handlever for sizes 80 NB to 150 NB  
 Worm gear box for sizes 80 NB to 600 NB  
 Pneumatic / Electric actuator operation-optional
- 9. Standard Material of Construction (MOC)
  - Body : WCB/ CF8/ CF8M
  - Disc : WCB/ CF8/ CF8M
  - Seat : PTFE/ Glass filled PTFE
  - Shaft : AISI 410/ SS 316 SH



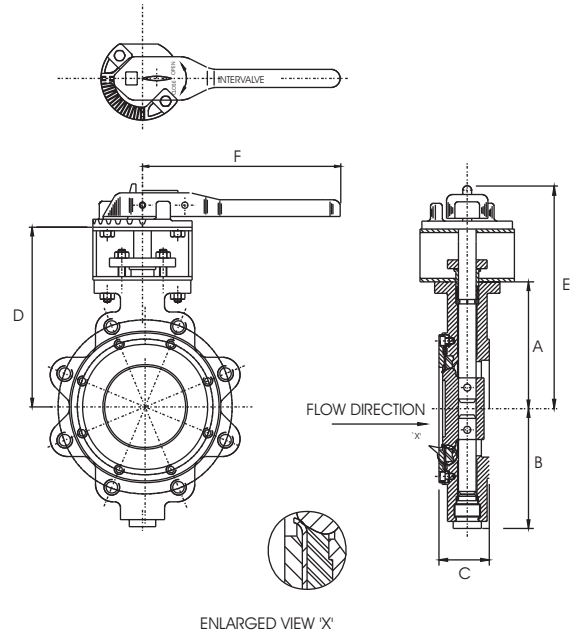
# IVEX - F

## IVEX-F BUTTERFLY VALVE WITH HANDLEVER



DIMENSIONS (in mm.) with Pressed Steel Handlever

Valve Size	A	B	C	D	E	F
80	133	125	48	193	245	250
100	145	135	54	205	255	250
125	157	150	57	220	276	300



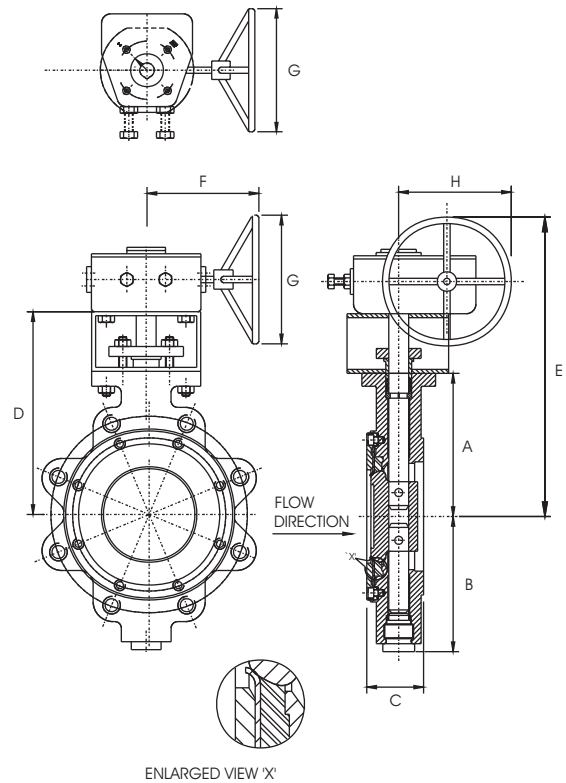
DIMENSIONS (in mm.) with Cast Handlever

Valve Size	A	B	C	D	E	F
150	175	168	57	235	290	500

DIMENSIONS (in mm.) with Worm Gear

Valve Size	A	B	C	D	E	F	G	H
80	133	125	48	193	320	195	175	127
100	145	135	54	205	332	195	175	127
125	157	150	57	217	348	195	175	127
150	175	168	57	235	400	242	250	182
200	200	195	64	260	425	242	250	182
250	265	245	71	325	542	285	350	252
300	290	272	81	370	715	320	600	388
350	310	290	92	410	755	320	600	388
400	370	360	102	470	842	320	600	432
450	390	380	114	490	862	320	600	432
500	420	410	127	520	855	420	500	500
600	500	490	154	600	935	420	500	500

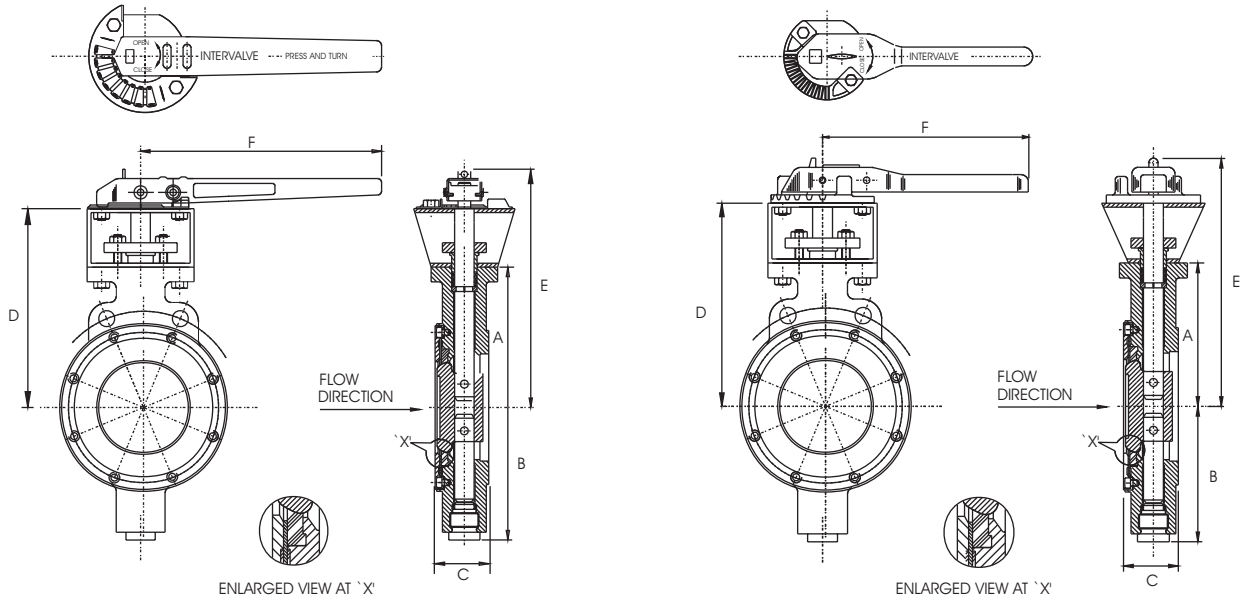
## IVEX-F BUTTERFLY VALVE WITH WORM GEAR



**BODY LUG DRILLING AS PER ASME B16.5 #150 FLANGE STD.**

# IVEX - T

## IVEX-T BUTTERFLY VALVE WITH HANDLEVER



DIMENSIONS (in mm.) with Pressed Steel Handlever

Valve Size	A	B	C	D	E	F
80	133	125	48	193	245	250
100	145	135	54	205	255	250
125	157	150	57	220	276	300

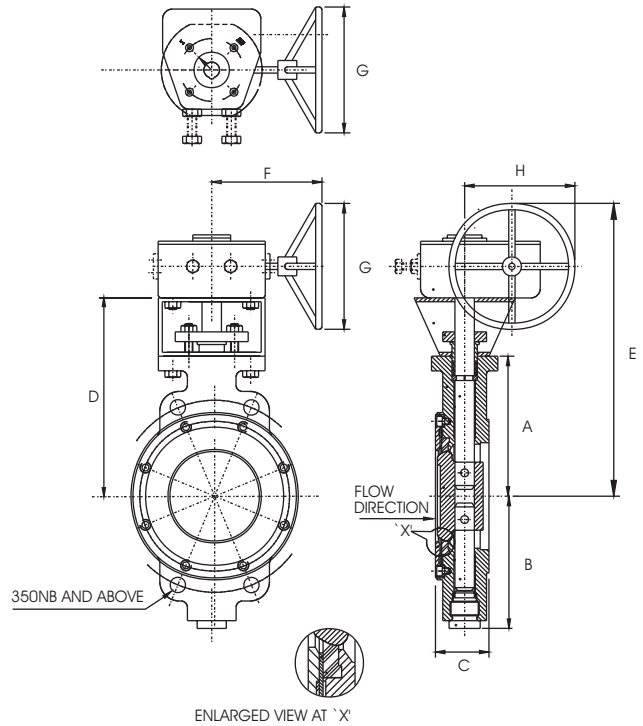
DIMENSIONS (in mm.) with Cast Handlever

Valve Size	A	B	C	D	E	F
150	175	168	57	235	290	500

DIMENSIONS (in mm.) with Worm Gear

Valve Size	A	B	C	D	E	F	G	H
80	133	125	48	193	320	195	175	127
100	145	135	54	205	332	195	175	127
125	157	150	57	217	348	195	175	127
150	175	168	57	235	400	242	250	182
200	200	195	64	260	425	242	250	182
250	265	245	71	325	542	285	350	252
300	290	272	81	370	586	285	350	252
350	310	290	92	410	755	320	600	388
400	370	360	102	470	842	320	600	432
450	390	380	114	490	862	320	600	432
500	420	410	127	520	840	395	500	445
600	500	490	154	600	935	420	500	500

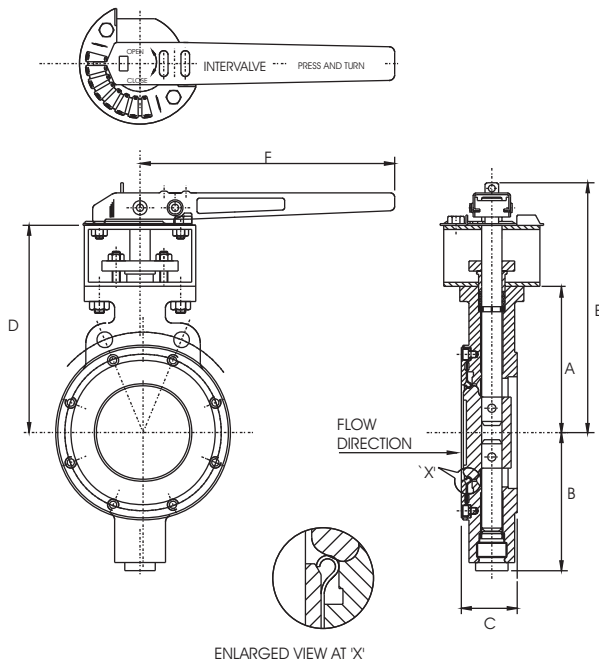
## IVEX-T BUTTERFLY VALVE WITH WORM GEAR



BODY LUG DRILLING AS PER ASME B16.5 #150 FLANGE STD.

# IVEX - M

## IVEX-M BUTTERFLY VALVE WITH HANDLEVER

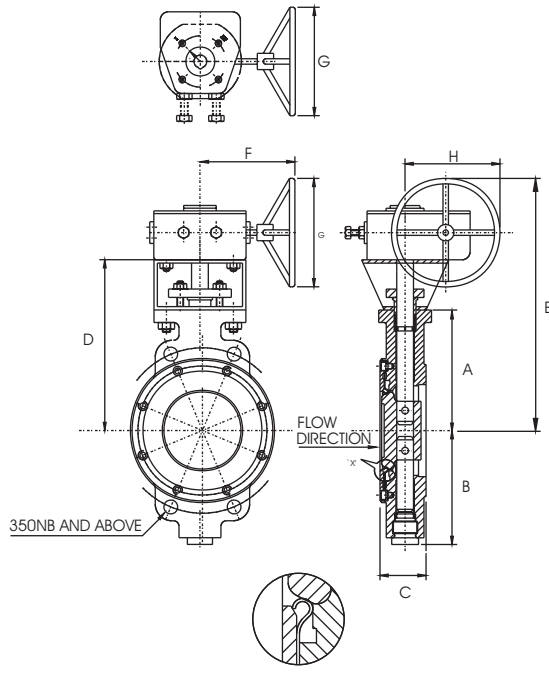


ENLARGED VIEW AT 'X'

DIMENSIONS (in mm.) with Pressed Steel Handlever

Valve Size	A	B	C	D	E	F
80	133	125	48	193	245	250
100	145	135	54	205	255	250
125	157	150	57	220	276	300

## BUTTERFLY VALVE WITH WORM GEAR



ENLARGED VIEW AT 'X'

DIMENSIONS (in mm.) with Worm Gear

Valve Size	A	B	C	D	E	F	G	H
80	133	125	48	193	320	195	175	127
100	145	135	54	205	332	195	175	127
125	157	150	57	217	348	195	175	127
150	175	168	57	235	400	242	250	182
200	200	195	64	260	476	285	350	252
250	265	245	71	325	542	285	350	252
300	290	272	81	370	715	320	600	388
350	310	290	92	410	755	320	600	388
400	370	360	102	470	842	320	600	432
450	390	380	114	490	862	320	600	432
500	420	410	127	520	855	420	500	500
600	500	490	154	600	935	420	500	500

BODY LUG DRILLING AS PER ASME B16.5 #150 FLANGE STD.

### Key features :

- Double offset disc design with a spherical profile seat eliminates seat wear and ensures perfect sealing every time.
- Availability of wafer or wafer lugged body with through drilled or threaded holes.
- Available in 3 distinctly different seat version viz. PTFE seat, Fire Safe seat and Metal to Metal seated.
- Self-lubricated drive end and non-drive end bearings for IVEX-T and IVEX-F models and galling free metal bearing for IVEX-M versions.
- Stuffing box type gland sealing to enable field adjustment of shaft sealing.
- Gland packing standardised on graphoil rings (non-asbestos) to offer widest operating temperature range coupled with excellent media resistance.
- Metal seat standardised on Inconel 625 material to offer maximum temperature resistance and minimum seat deformation.
- Option of seat material for soft seated version in virgin PTFE or filled PTFE.
- Seat removal without disconnecting of shaft and disc.
- Split ring type thrust pad provided for the drive end shaft prevents axial movement of the disc as well as ensures the required 'anti-static' feature for the valve.



**INTERVALVE (INDIA) LTD.**

(WITH DUTCH TECHNOLOGY)

212/2, HADAPSAR, OFF SOLI POONAWALLA ROAD, PUNE - 411 028. INDIA  
 TEL : 91-20-699 3900, 699 3904 FAX : 91-20-699 3921  
<http://www.poonawallagroup.com> E-mail: [intervalve@poonawallagroup.com](mailto:intervalve@poonawallagroup.com)

